



AR Series Post Top LED Luminaires

The AR Series Post Top Luminaire is designed as a high performance economy option for an array of post top fixture applications. Ideal for both contemporary or historical settings, the AR luminaire offers easy post top mounting and can come equipped with photocell options. The rugged, corrosion-resistant, die-cast aluminum housing is outfitted with stainless steel hardware and an epoxy coating that offers a very long service life. The AR offers multiple light pattern options to improve the visual experience for decorative, pedestrian, and roadway applications.

FEATURES:

Construction—The AR series is designed with rugged, corrosion-resistant, die cast aluminum housing with stainless steel hardware for durability and strength. An epoxy powder-coated finish provides excellent fade and weathering resistance.

LED's—The AR incorporates advanced high-efficiency Philips Lumiled Luxeon M 4100K (70CRI) or 5700K (75CRI) components providing optimized combinations of light delivery to uniformly illuminate target areas. 3000K available (please inquire for additional details).

Electrical—Available in 120-277V or 347-480V at 50/60Hz. Power Factor of >95%. Total Harmonic Distortion (THD) is <10%. Exceeding Energy Star requirements, the AR conforms to industry and government performance mandates and standards. Efficacy of 90+ lumens per watt enables the AR to properly manage heat dissipation while enhancing performance and longevity.

Optics—Precision-molded, optics available in Type II, III, IV, and V distribution patterns. Cutting edge photometric design achieves full cutoff with zero light above the horizontal plane/axis.

LED Rated Life (L75) - These high quality LED's are rated for >100,000 hours @ 25°C (77°F) ambient environment per LM-80, TM21.

Protection/Ingress—LED and driver compartments are IP66 rated.

Photocontrol Options— Optional top mounted NEMA receptacle (3-pin and 7-pin available)

Secondary Surge Protection—20kV/10kA (ANSI/IEEE C64.41.2) is standard and field serviceable.

Listings—ETL, CSA, LM79, LM80, NEMA, IESNA, ASTM B117, DLC, Dark Sky, ARRA and NAFTA compliant.

ORDERING TABLE

Example: AR04621SXDX

Model	LED Qty	CCT	Distribution	Voltage	Color	Control Options	Dimming	Option 1	Option 2
AR	04	3 = 3000K*	2 = Type II	1 = 120-277V	S = Silver	N = 3-pin Twist-Lock Receptacle	X = None	X = None	X = None
	06	4 = 4100K	3 = Type III		R = Bronze	7 = 7-pin Twist-Lock Receptacle	D = Dimming	M = Motion Sensor	E = Custom Laser
	08	6 = 5700K	4 = Type IV		G = Green*	P = Receptacle and Photocell			Cut Display
	12	* Call For Details	5 = Type V		*Call For Details	S = Receptacle and Shorting Cap			and Backlight
						X = Solid Top			

ACCESSORIES:

Contact sales representative for customization.

WARRANTY:

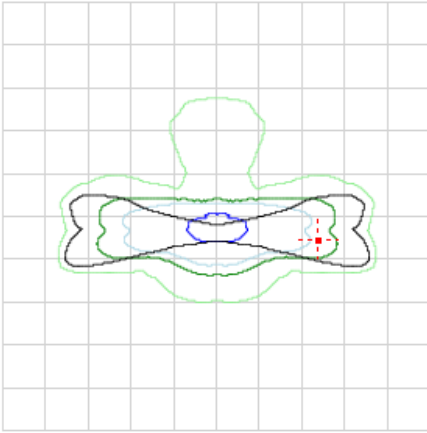
Standard 10 year warranty

MOUNTING:

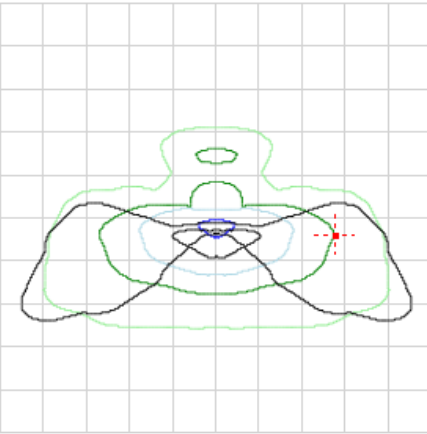
Luminaire mounts over 2" OD tenon and is secured with 6 of set screws.

PHOTOMETRICS:

AR06, 4K, T2 Distribution Mounted at 20 ft.



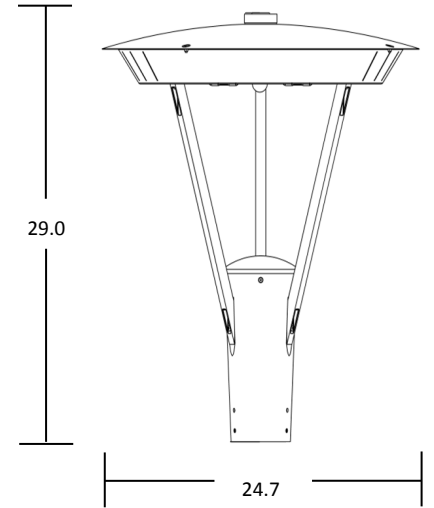
AR06, 4K, T3 Distribution Mounted at 20 ft.



LCS TABLE		
BUG RATING	B2 - U0 - G2	
FORWARD LIGHT	LUMENS	LUMENS %
LOW(0-30):	1,332.9	16.5%
MEDIUM(30-60):	3,081.5	38.1%
HIGH(60-80):	1,290.7	15.9%
VERY HIGH(80-90):	23.6	0.3%
BACK LIGHT		
LOW(0-30):	511.3	6.3%
MEDIUM(30-60):	868.5	10.7%
HIGH(60-80):	925.3	11.4%
VERY HIGH(80-90):	64.2	0.8%
UPLIGHT		
LOW(90-100):	0.000	0%
HIGH(100-180):	0.000	0%
TRAPPED LIGHT:	0.000	0%

LCS TABLE		
BUG RATING	B2 - U0 - G2	
FORWARD LIGHT	LUMENS	LUMENS %
LOW(0-30):	1,034.0	12.9%
MEDIUM(30-60):	2,805.0	35.1%
HIGH(60-80):	2,242.8	28.1%
VERY HIGH(80-90):	77.5	1%
BACK LIGHT		
LOW(0-30):	389.8	4.9%
MEDIUM(30-60):	787.1	9.9%
HIGH(60-80):	600.3	7.5%
VERY HIGH(80-90):	50.5	0.6%
UPLIGHT		
LOW(90-100):	0.000	0%
HIGH(100-180):	0.000	0%
TRAPPED LIGHT:	0.000	0%

WEIGHTS/DIMENSIONS:



EPA: 1.8 sq. ft.

Weight: 18.7 lbs.

PERFORMANCE SUMMARY

Model	Input Watts	Input Current (A)			Distribution Type	4100K		5700K	
		120V	240V	277V		Lumens	Efficacy	Lumens	Efficacy
AR04	54	0.45	0.23	0.19	2	4,945	92	4,930	91
					3				
					4				
					5				
AR06	81	0.68	0.34	0.29	2	7,360	91	7,509	93
					3				
					4				
					5				
AR08	104	0.87	0.43	0.38	2	9,890	95	9,860	95
					3				
					4				
					5				
AR12	159	1.33	0.66	0.57	2	14,720	93	15,018	94
					3				
					4				
					5				

* Efficacy Based on Type III Distribution



*** All Specifications Are Subject To Change Without Notice ***

July 2018