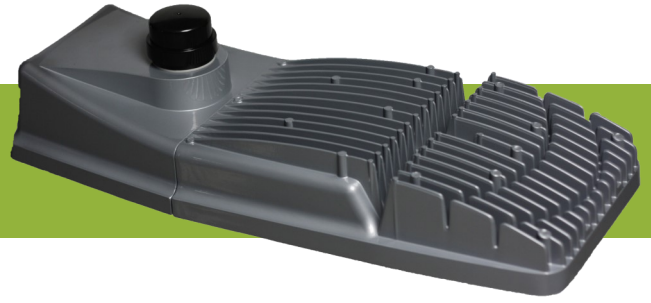


# AV Series Roadway & Area LED Luminaires



The AV LED Luminaire is GreenStar’s second generation utility grade Luminaire. Designed to perform in both demanding Roadway and Area Lighting projects. It is ideal for both retrofit and new construction and has a sleek, modern, architecturally pleasing design. An area arm is available for parking lots, auto dealerships, and other area lighting designs where aesthetics are important. This innovative design produces light output equivalent to a 250W—750W HID and provides energy savings of 65% or greater.

## FEATURES:

**Construction**—The AV series is designed with rugged, corrosion-resistant, die cast aluminum housing with stainless steel hardware for durability and strength. An epoxy powder-coated finish provides excellent resistance to outdoor conditions.

**LED’s**—The AV incorporates advanced high-efficiency Philips Lumiled Luxeon Mx 3000K (70CRI), 4100K (70CRI), or 5700K (70CRI) components providing optimized combinations of light delivery to uniformly illuminate target areas. 80CRI available, call for details.

**Electrical**—Available in 100-277V or 347-480V at 50/60Hz. Power Factor of >95%. Total Harmonic Distortion (THD) is <10%. Exceeding Energy Star requirements, the AV conforms to industry, DOT, and government performance mandates and standards. Efficacy of 90+ lumens per watt enables the AV to properly manage heat dissipation while enhancing performance and longevity.

**Optics**—Precision-molded, optics available in Type II, III, IV, and V distribution patterns. Cutting edge photometric design achieves full cutoff with zero light above the horizontal plane/axis.

**LED Rated Life (L75)** - These high quality LED’s are rated for approx. 100,000 hours @ 25°C (77°F) ambient environment per LM-80, TM21.

**Protection/Ingress**—LED and PSU compartments are IP66 rated. Surge Arrestor compartment is IP54 rated.

**Photocontrol Options**—3 pin NEMA receptacle is standard with available 7 pin receptacle.

**Surge Protection**—20kV/10kA (ANSI/IEEE C64.41.2) is standard and replaceable.

**Vibration Resistance**—The RFM meets the ANSI C136.31, American National Standard for Roadway Luminaire Vibration specifications for bridge/overpass applications (tested for 3G over 100,000 cycles by independent lab).

**Listings**—ETL, CSA, LM79, LM80, NEMA, IESNA, ASTM B117, DLC, Dark Sky, ARRA and NAFTA compliant. NOM design conformance.

## ORDERING TABLE:

*Designed to meet DOT Specifications!*

Example: XAVX12431SNXXI

Model	LED Quantity	CCT	Distribution	Voltage	Color	Control Options	Dimming	Option1	Option 2
XAVX = Roadway Arm 277V	08	3 = 3000K*	2 = Type II	1 = 100-277V	S = Silver	C = No Photocell Receptacle	X = None	X = None	X = None
XAVH = Roadway Arm 480V	12	4 = 4100K	3 = Type III	50-60 Hz	R = Bronze	N = 3-pin NEMA Receptacle	D = Dimming	H = House	B = Bubble Level
AAVX = Area Arm 277V	16	6 = 5700K	4 = Type IV	4 = 347V-480V		7 = 7-pin NEMA Receptacle	(0-10vdc)	Side Shield	I = Inclinometer
AAVH = Area Arm 480V	20	* Call for	5 = Type V	50-60Hz				P = Photocell	C = Camera
	24	Details						Z = Shorting Cap	

## MOUNTING:

Four bolt/two bracket flush mounting with built-in tenon stop and step levels accepting horizontal arms up to 2.5” OD. Bubble level available for simple leveling at time of installation. Inclinometer available for DOT applications. The side tenon arm is included with AAVX16, 20, & 24 and AAVH16, 20, & 24 models.

## ACCESSORIES:

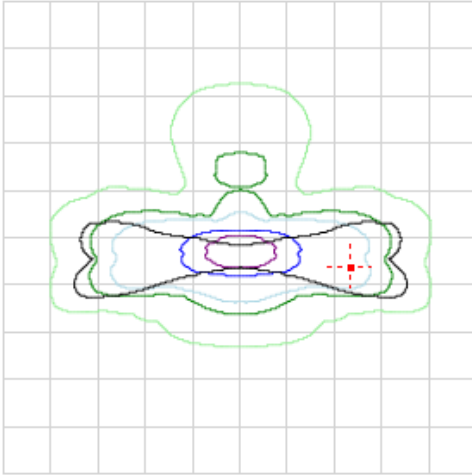
- DOT Inclinometer—CAT# GSPL62M
- Side Tenon Arm—CAT# GSSM126M

## WARRANTY:

Standard 10 year warranty

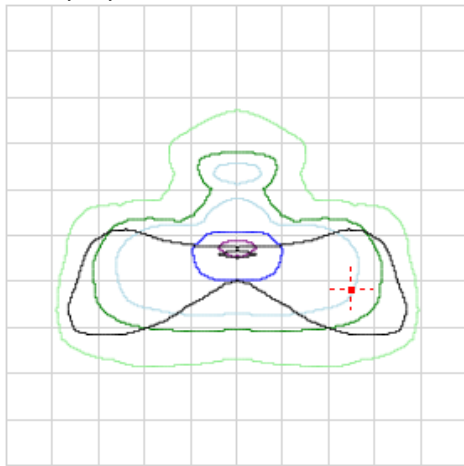
## PHOTOMETRICS:

AV12, 4K, T2 Distribution Mounted at 20 ft.



LCS TABLE		
BUG RATING	B3 - U0 - G3	
<b>FORWARD LIGHT</b>	LUMENS	LUMENS %
LOW(0-30):	2,826.0	17.1%
MEDIUM(30-60):	6,553.6	39.8%
HIGH(60-80):	2,850.2	17.3%
VERY HIGH(80-90):	43.8	0.3%
<b>BACK LIGHT</b>		
LOW(0-30):	933.9	5.7%
MEDIUM(30-60):	1,642.7	10%
HIGH(60-80):	1,561.5	9.5%
VERY HIGH(80-90):	69.9	0.4%
<b>UPLIGHT</b>		
LOW(90-100):	0.000	0%
HIGH(100-180):	0.000	0%
<b>TRAPPED LIGHT:</b>	0.1	0%

AV12, 4K, T3 Distribution Mounted at 20 ft.



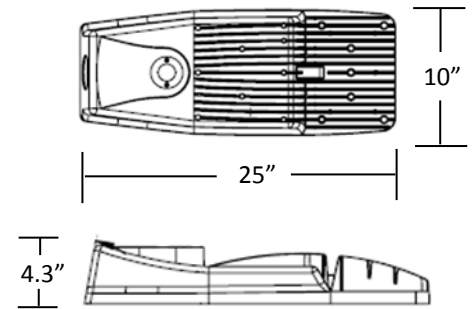
LCS TABLE		
BUG RATING	B2 - U0 - G2	
<b>FORWARD LIGHT</b>	LUMENS	LUMENS %
LOW(0-30):	2,033.7	12.5%
MEDIUM(30-60):	6,563.7	40.2%
HIGH(60-80):	4,357.9	26.7%
VERY HIGH(80-90):	62.4	0.4%
<b>BACK LIGHT</b>		
LOW(0-30):	753.7	4.6%
MEDIUM(30-60):	1,497.2	9.2%
HIGH(60-80):	984.1	6%
VERY HIGH(80-90):	70.0	0.4%
<b>UPLIGHT</b>		
LOW(90-100):	0.000	0%
HIGH(100-180):	0.000	0%
<b>TRAPPED LIGHT:</b>	0.5	0%

## PERFORMANCE SUMMARY:

Model	Input Watts	Input Current (A)			Distribution Type	4100K		5700K	
		120V	240V	277V		Lumens	Efficacy (LPW)	Lumens	Efficacy (LPW)
AV08	103	0.86	0.43	0.37	II	11106	106	11439	106
					III				
					IV				
					V				
AV12	156	1.30	0.65	0.56	II	18137	111	18681	110
					III				
					IV				
					V				
AV16	169	1.46	0.70	0.61	II	19234	114	19394	115
					III				
					IV				
					V				
AV20	214	1.78	0.89	0.77	II	27838	120	28673	133
					III				
					IV				
					V				
AV24	268	2.23	1.11	0.96	II	28851	107	29091	108
					III				
					IV				
					V				

## WEIGHTS/DIMENSIONS:

AV08, AV12—Roadway Arm

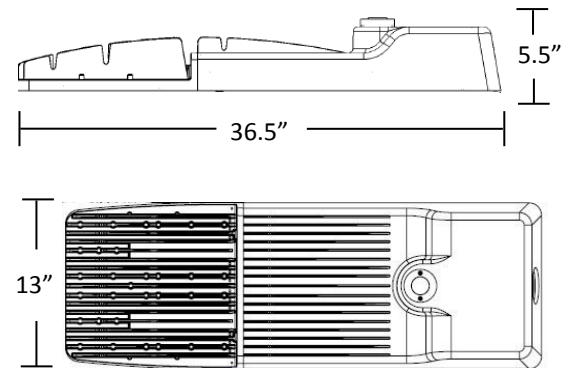


EPA: 1.1 sq. ft.

Weight: 17.64 lbs.

For Area Arm dimensions, please see our marketing sheet on our website, [www.greenstarled.com](http://www.greenstarled.com)

AV16, AV20, AV24—Roadway Arm



EPA: 1.3 sq. ft.

Weight: 38.5 lbs.

