

Document Name Helio Installation Instruction	Template Number GSPDPAD46	Document Number PDPAD1220002001
Document Owner ESS Department	Template Rev 00	Document Rev AA000

## **High Stadium Light Installation Instruction**



### **BEFORE YOU BEGIN**

*Read these instructions completely and carefully.  
Save these instructions for future use.*

#### **⚠ WARNING**

*Risk of electrical shock. Disconnect power before servicing or installing luminaire.*

#### **⚠ WARNING**

*Risk of injury or damage. Luminaire will fall if not installed properly. Follow installation instructions.*

#### **⚠ WARNING**

*Risk of injury. Wear safety glasses and gloves during installation and servicing.*

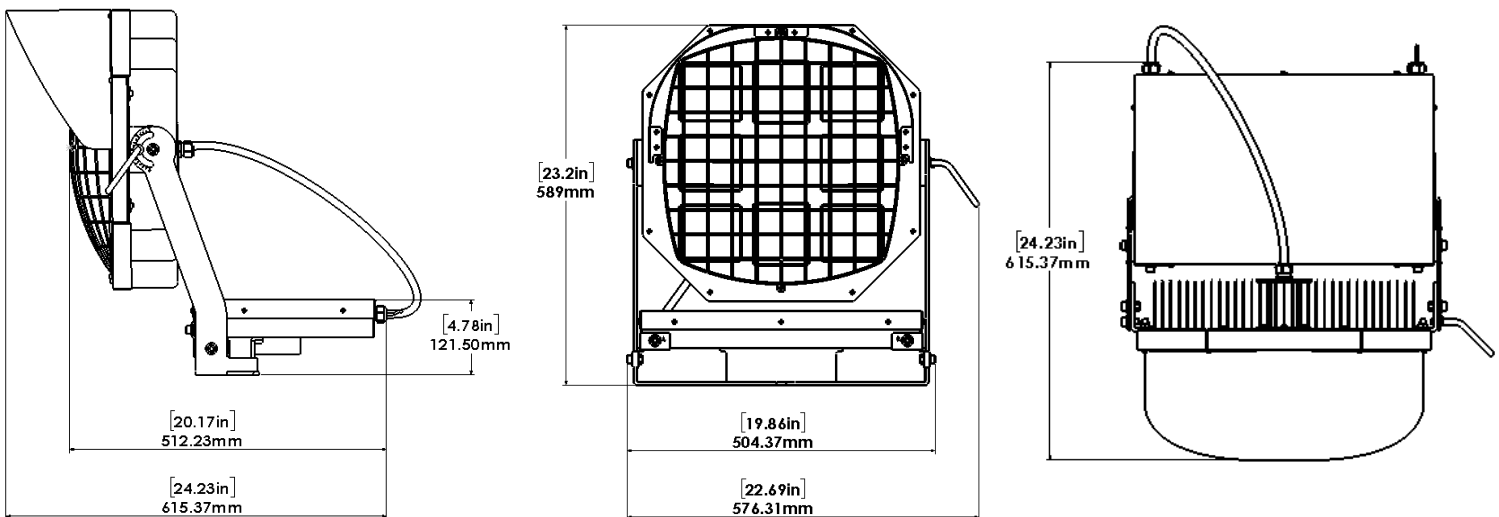
### **Important Notice**

These instructions are not intended to cover all details or for every possible contingency concerning the installation, operations, or maintenance of the luminaire. Should additional information be required, contact Green Star Products Inc.

The contents of this manual shall not become a part of or modify any prior or existing agreement, commitment, or relationship. The sales contact contains the entire obligation of Green Star Products Inc. Green Star Products Inc. standard limited warranty is the sole warranty obligation of the company and any statements contained herein do not create new warranties or modify the existing warranty.

Any electrical or mechanical modifications to the luminaire without the prior written consent of Green Star Products Inc. may void all warranties or other safety certifications. Unauthorized modifications may also result in safety hazards or damage to the luminaire. Misuse of the luminaire could result in injury and equipment damage. In no event will Green Star Products Inc. be responsible or liable for direct, indirect, special, or consequential damage or injury that may result from the misuse of the luminaire.

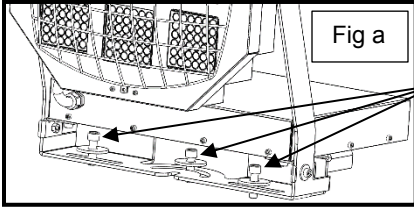
## Product Dimensions



Document Name Helio Installation Instruction	Template Number GSPDPAD46	Document Number PDPAD1220002001
Document Owner ESS Department	Template Rev 00	Document Rev AA000

## Inspection

The packing has been designed to protect the luminaire from damage during transit. Inspect luminaire for damage before installation.

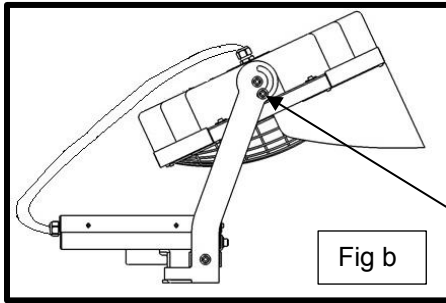


M12 Washer & M12X1.75X40 hexagonal head bolt (3 Nos)

## Mounting the Luminaire on the Flat Surface /Structural frame:

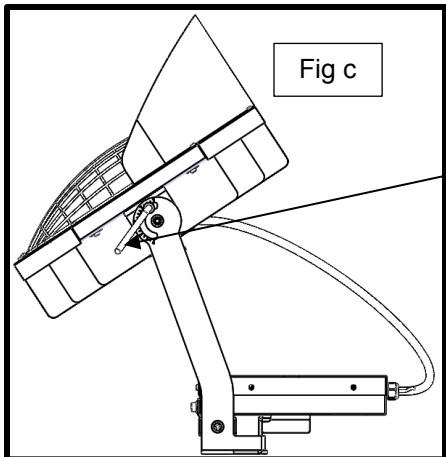
Place M12 washer & M12X1.75X40 Hexagonal head bolt (3 Nos.) into the mounting slot from the top side and fix M12X1.75 Nut (3Nos) from the bottom side (See Fig. a) and apply 30 kgf-cm torque.

**Note:** Mounting height of the luminaire should be minimum 1.5m from Ground level.



Angle Adjustment Fastener

Downward direction



Angle Adjustment Lever

Upward direction

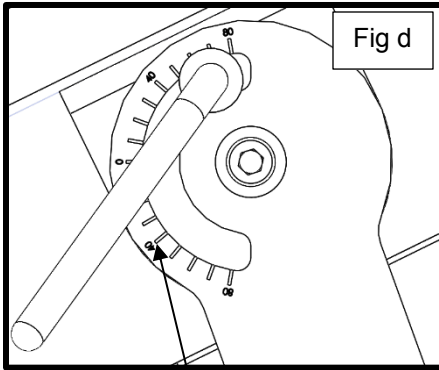
## Angle Adjustment:

Adjust the required angle of the optics area of Luminaire following the below steps in sequence:

1. Loose **Angle Adjustment Fastener** using Allen key. (See Fig b)
2. Hold/support the Heat Sink assembly prior to follow step3 (loosening of angle adjustment lever).
3. Loose the **Angle Adjustment Lever** by hand. (See Fig c)
4. Tilt the Heat Sink assembly in upward or downward direction according to the angle requirement. Refer Angle Marking provided on mounting frame (See Fig d).
5. Tight the **Angle adjustment Lever** to lock the direction of the light.
6. Tight the **Angle adjustment Fastener** using Allen key.

**Note:** Ensure that the Angle Adjustment Fastener and Angle Adjustment Lever are fully tightened after angle adjustment is done.

Document Name Helio Installation Instruction	Template Number GSPDPAD46	Document Number PDPAD1220002001
Document Owner ESS Department	Template Rev 00	Document Rev AA000



Angle Marking (0 to  $\pm 70$  degree)

### Wiring:

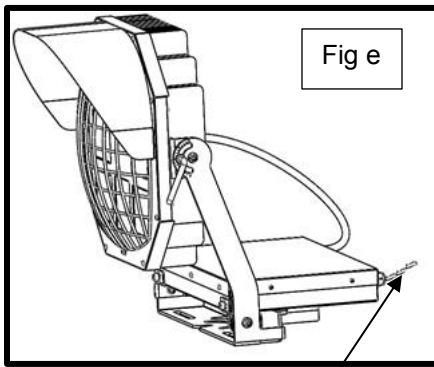
**NOTE:** Make sure that all electrical connections are in accordance with the National Electrical Code (NEC), and any applicable local code requirements.

Check the rated input voltage on the luminaire product label, and verify that the supply voltage meets the product requirements.

Connect the Mains supply wires to the AC input cable of the luminaire (*figure e*).

When making electrical connections, make sure that the ground wire on the supply side is connected to the ground wire of the luminaire. Under no circumstances the ground wire should be left disconnected. This will cause the luminaire to fail, and the luminaire will not be covered under warranty.

**Note:** Use external strain relief clamp(s)/connector(s) as per the size of the supply cables to reinforce the supply connections.



AC Input Cable

### Maintenance

Depending on environmental conditions it will be necessary to clean the lens in order to maintain a high efficiency lens.

### Storage

Prior to installation, the luminaire should be placed in a covered, dry storage. The storage location should not exceed the normal operating temperature of the luminaire.