

Solaris LED Luminaire Installation Guide

Ceiling Mounting with Mounting Bracket base

Step 1 → Fix the Mounting bracket to ceiling with the help of 4 M6X12 SS SOCKET HEAD CAP SCREW and M6 S spring Washer (**Figure 1**).

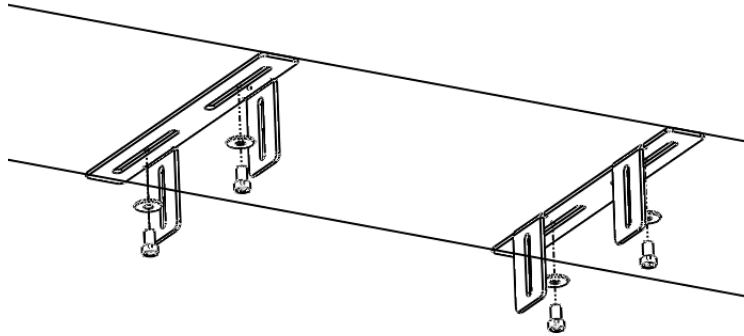


Figure 1

Step 2 → Fix the Solaris Module (as shown in **Figure 2**) to the Mounting Bracket attached to ceiling (**Figure 1**) with the help of 4 M6X12 SS SOCKET HEAD CAP SCREW and M6 spring Washer (**Figure 3**).

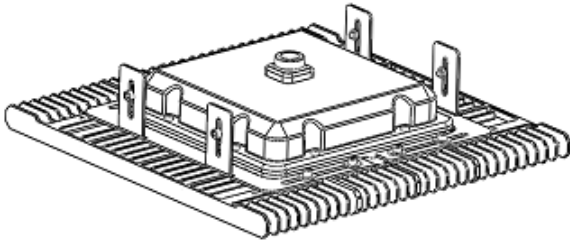


Figure 2

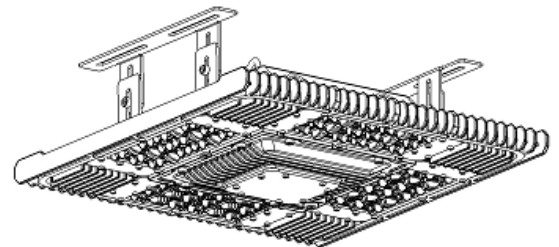


Figure 3