

Document Name Avenger Area Arm Installation Instruction	Template Number GSPDPAD46	Document Number PDPAD460000672
Document Owner Mechanical Design	Template Rev 01	Document Rev AA002



BEFORE YOU BEGIN

Read these instructions completely and carefully.
Save these instructions for future use.

⚠ WARNING

Risk of electrical shock. Disconnect power before servicing or installing luminaire.

⚠ WARNING

Risk of injury or damage. Luminaire will fall if not installed properly. Follow installation instructions.

⚠ WARNING

Risk of injury. Wear safety glasses and gloves during installation and servicing.

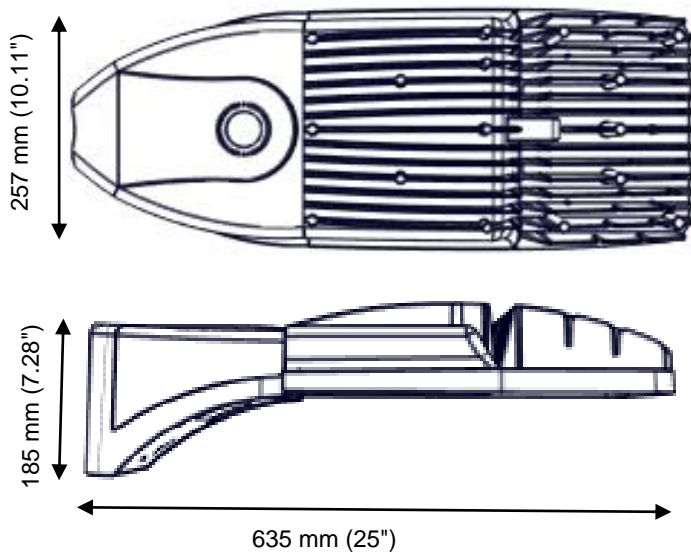
Important Notice

These instructions are not intended to cover all details or variations in the products nor do these instructions provide for every possible contingency concerning the installation, operations, or maintenance of the luminaire. Should additional information be required, contact your Greenstar Products Inc.

The contents of this manual shall not become a part of or modify any prior or existing agreement, commitment, or relationship. The sales contact contains the entire obligation of Greenstar Products Inc. Greenstar Products Inc.'s standard limited warranty is the sole warranty obligation of Greenstar Products Inc. and any statements contained herein do not create new warranties or modify the existing warranty.

Any electrical or mechanical modifications to the luminaire without the prior written consent of Greenstar Products Inc. may void all warranties or other safety certifications. Unauthorized modifications may also result in safety hazards or damage to the luminaire. Misuse of the luminaire could result in injury and equipment damage. In no event will Greenstar Products Inc. be responsible or liable for direct, indirect, special, or consequential damage or injury that may result from the misuse of the luminaire.

PRODUCT DIMENSIONS



Document Name Avenger Area Arm Installation Instruction	Template Number GSPDPAD46	Document Number PDPAD460000672
Document Owner Mechanical Design	Template Rev 01	Document Rev AA002

Inspection

- The packaging has been designed to protect the luminaire from damage during transit. Inspect luminaire for damage before installation.

Mounting the Luminaire on the Pole

- Drill holes to the circular pole and pass the cables through the adaptor. (*see figure a*).
- Fasten the universal adaptor to the circular/square pole. (*see figure b*).
- Open the wiring compartment door using the quick release screws. (*see figure c*).
- Pass the three cables inside the Area Arm and securely fasten the Area Arm using (4) M8x35 socket head Cap screw. (*see figure d*).

Wiring

- **NOTE:** Make sure that all electrical connections are in accordance with the National Electrical Code (NEC), and any applicable local code requirements.
- **NOTE:** Check the rated input voltage on the luminaire product label, and verify that the supply voltage meets the product requirements.
- Connect the wire to terminal block according to the wiring diagram. (*see figure e*).
- For Dimming Option –External wire shall be extended till Dimming Option Wires, Connect external positive DC supplied wire to the purple dimming wire and negative DC supplied wire to Grey Dimming wire.
- When making electrical connections, make sure that the ground wire on the supply side is connected to the ground wire of the luminaire. Under no circumstances the ground wire should be left disconnected. This will cause the luminaire to fail, and the luminaire will not be covered under warranty.
- After all connections have been made, close the wiring compartment door, and make sure it is securely fixed. (*see figure f*).

Maintenance

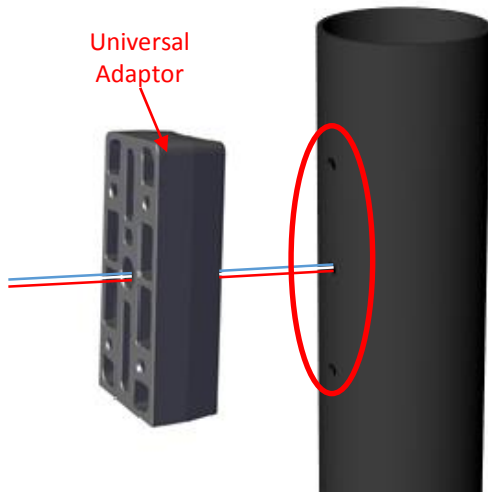
- Depending on environmental conditions it may be necessary to clean the lens in order to maintain a high-efficiency lens. (Use solvent-free cleaners)

Storage

- Prior to installation, the luminaire should be placed in a covered, dry storage. The storage location should not exceed the normal operating temperature of the luminaire.

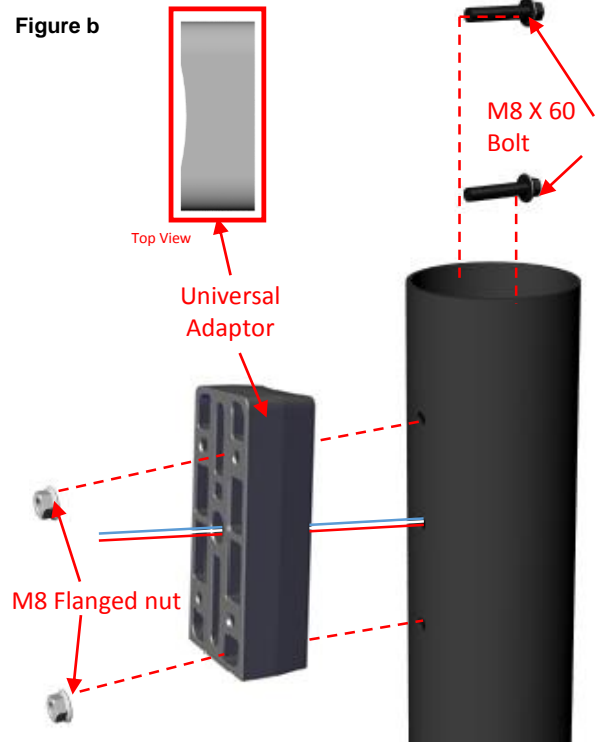
Document Name Avenger Area Arm Installation Instruction	Template Number GSPDPAD46	Document Number PDPAD460000672
Document Owner Mechanical Design	Template Rev 01	Document Rev AA002

Figure a



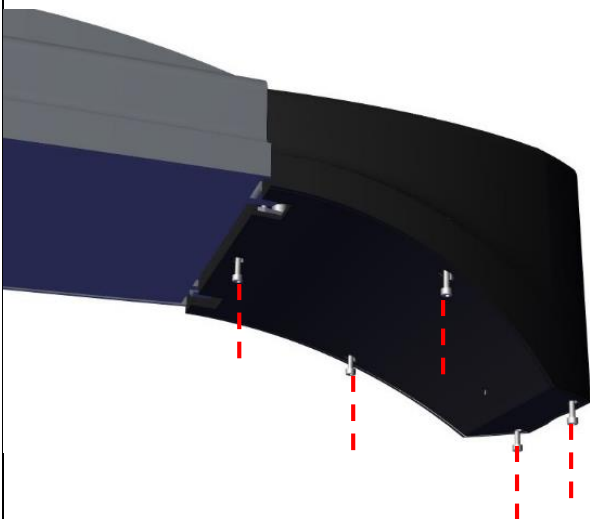
- (1) Drill holes on the circular pole
- (2) Orient universal adaptor such that its curved surface is facing surface of circular pole
- (3) Pass the three cables through the center hole of circular pole and universal adaptor

Figure b



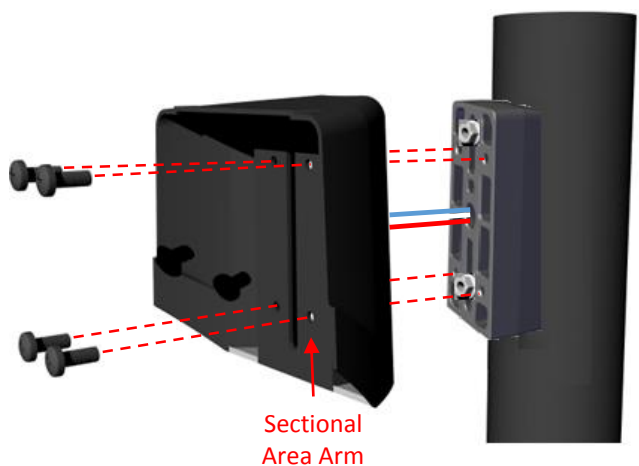
Fasten universal adaptor to the circular pole using M8 bolt, and M8 flanged nut as shown above

Figure c



Unscrew the Five M4x16 Socket head screws as shown above till the cover opens.

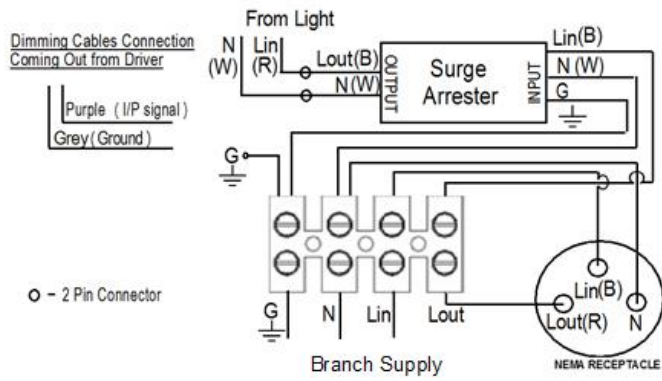
Figure d



- (1) Pass the three cables inside the Area Arm
- (2) Rest Area Arm onto the Universal Adaptor
- (3) Securely fasten the Area Arm using (4) M8x35 socket head Cap screw

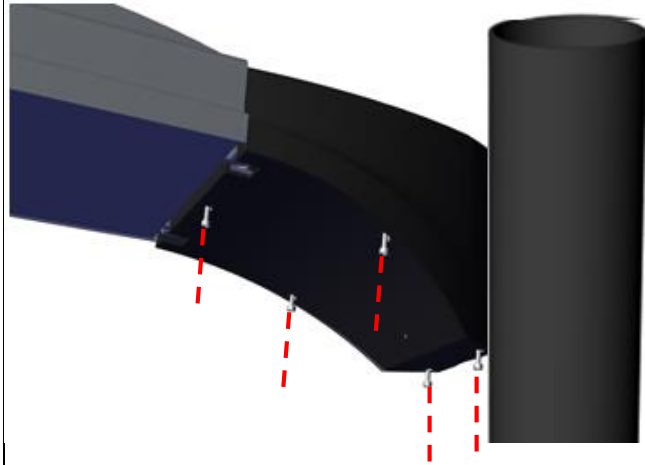
Document Name Avenger Area Arm Installation Instruction	Template Number GSPDPAD46	Document Number PDPAD460000672
Document Owner Mechanical Design	Template Rev 01	Document Rev AA002

Figure e

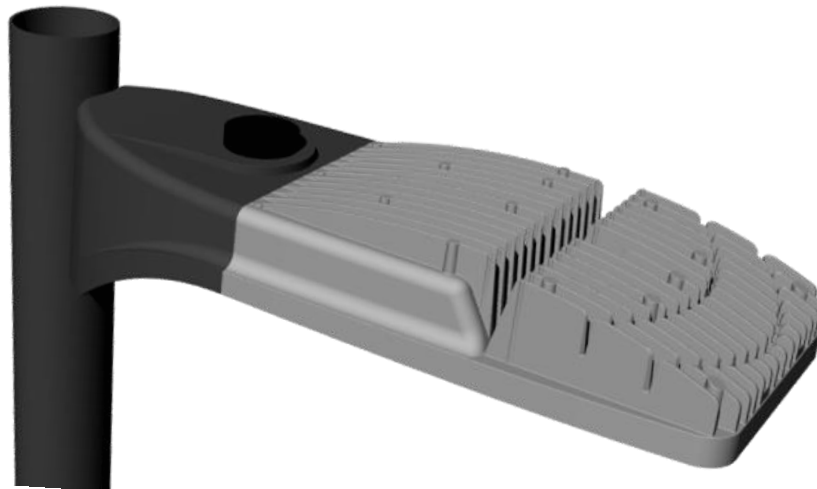


Wiring Diagram

Figure f



After connecting wires to the terminal block as per wiring diagram, close the cover and fasten back earlier unscrewed Five M4x16 Socket head screws.



Avenger mounted on the circular pole