



BEFORE YOU BEGIN

Read these instructions completely and carefully. Save these instructions for future use.

⚠️ WARNING

Risk of electrical shock. Disconnect power before servicing or installing luminaire.

⚠️ WARNING

Risk of injury or damage. Luminaire will fall if not installed properly. Follow installation instructions.

⚠️ WARNING

Risk of injury. Wear safety glasses and gloves during installation and servicing.

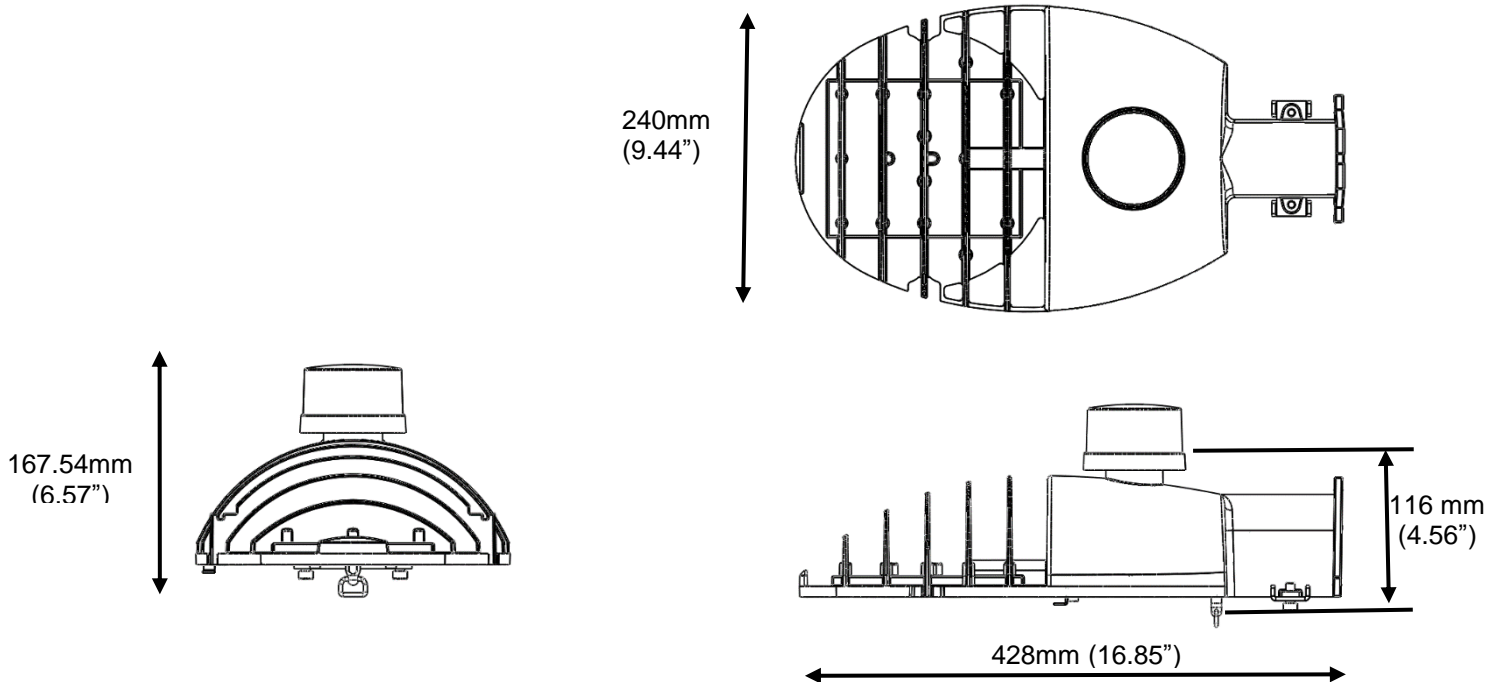
Important Notice

These instructions are not intended to cover all details or variations in the products nor do these instructions provide for every possible contingency concerning the installation, operations, or maintenance of the luminaire. Should additional information be required, contact Greenstar Products Inc.

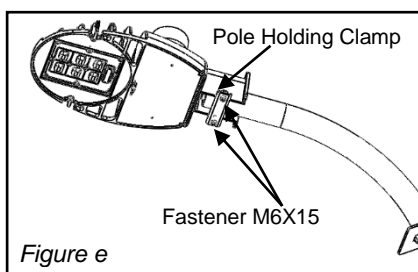
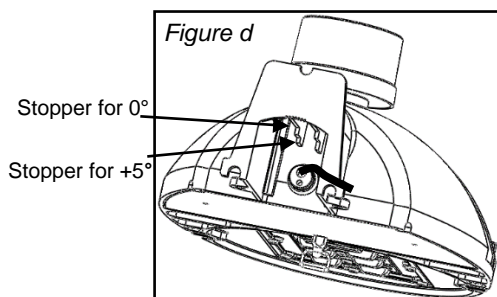
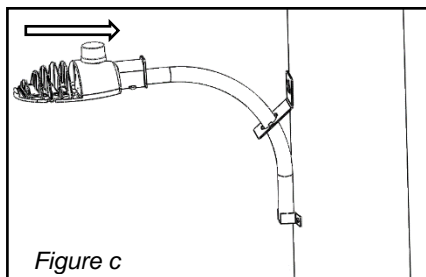
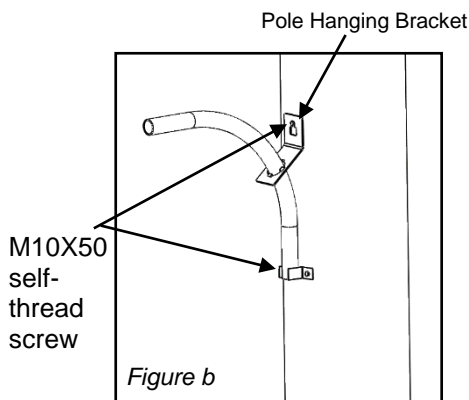
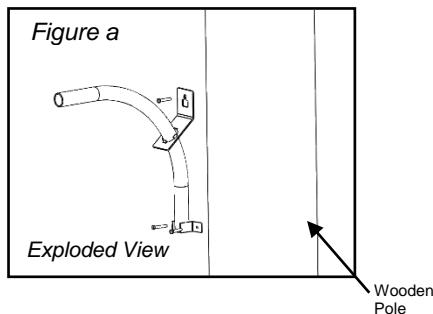
The contents of this manual shall not become a part of or modify any prior or existing agreement, commitment, or relationship. The sales contact contains the entire obligation of Greenstar Products Inc. Greenstar Products Inc.'s standard limited warranty is the sole warranty obligation of Greenstar Products Inc. and any statements contained herein do not create new warranties or modify the existing warranty.

Any electrical or mechanical modifications to the luminaire without the prior written consent of Greenstar Products Inc. may void all warranties or other safety certifications. Unauthorized modifications may also result in safety hazards or damage to the luminaire. Misuse of the luminaire could result in injury and equipment damage. In no event will Greenstar Products Inc. be responsible or liable for direct, indirect, special, or consequential damage or injury that may result from the misuse of the luminaire.

PRODUCT DIMENSIONS



Dwarf Star Light with Power Cord



Inspection

- The packaging has been designed to protect the luminaire from damage during transit. Inspect luminaire for damage before installation.

Luminaire Mounting Pole Assembly with Wooden Pole

- Insert the Pole Hanging Bracket into the Luminaire Mounting Pole.
- Fasten the Pole Hanging Bracket to the wooden pole by using M10X50 self-thread screw. (fig. a, fig. b)
- Fasten the Luminaire Mounting Pole to the Wooden Pole by using 2 nos. of M10X50 self-thread screw. (fig. b)

Mounting the Luminaire on the Luminaire Mounting Pole

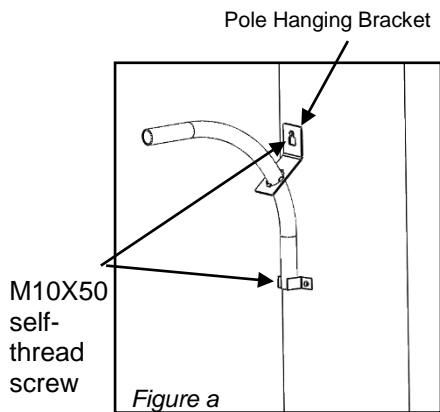
- Insert the LED Fixture into the Luminaire Mounting Pole. Make sure disconnect Power before start of installation. (See figure c).
- Rest the pole part of the luminaire onto the pole. For 0° and +5° tilt (as required), slide the luminaire till it is stopped by the stopper provided (See figure d).
- Assemble the Pole Holding Clamp by using 2 nos. of M6X15 Socket Head Screws (See figure e).

Wiring

- **NOTE:** Make sure that all electrical connections are in accordance with the National Electrical Code (NEC), and any applicable local code requirements.
- **NOTE:** Check the rated input voltage on the luminaire product label, and verify that the supply voltage meets the product requirements.
- Connect wire leads as follows—
 - CONNECT white luminaire wire to Neutral supply wire.
 - CONNECT red (or black) luminaire wire to Live supply wire.
 - CONNECT green luminaire wire to Ground supply wire.
- For Dimming Option- Connect external DC supply Positive wire to the Purple Dimming wire and Negative DC supply wire to the Grey Dimming wire. (Not applicable for DS-1. This is applicable for DS-4 and DS-6)
- When making electrical connections, make sure that the ground wire on the supply side is connected to the ground wire of the luminaire. Under no circumstances the ground wire should be left disconnected. This will cause the luminaire to fail and the luminaire will not be covered under warranty.

- Alternately tighten both screws with Allen key/ torque screw driver to avoid loosening due to vibrations.

Dwarf Star Light with Terminal Block



Inspection

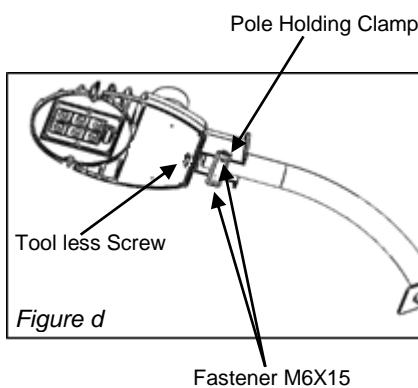
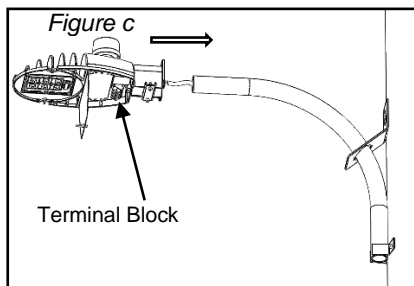
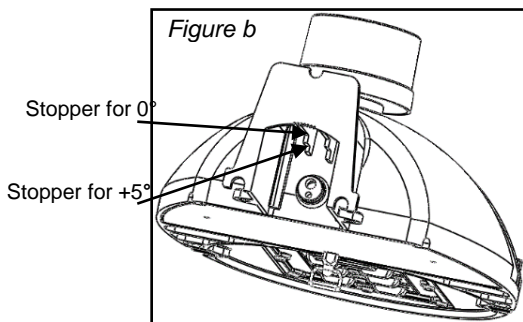
- The packaging has been designed to protect the luminaire from damage during transit. Inspect luminaire for damage before installation.

Luminaire Mounting Pole Assembly with Wooden Pole

- Insert the Pole Hanging Bracket into the Luminaire Mounting Pole.
- Fasten the Pole Hanging Bracket to the wooden pole by using M10X50 self-thread screw. (fig. a)
- Fasten the Luminaire Mounting Pole to the Wooden Pole by using 2 nos. of M10X50 self-thread screw. (fig. a)

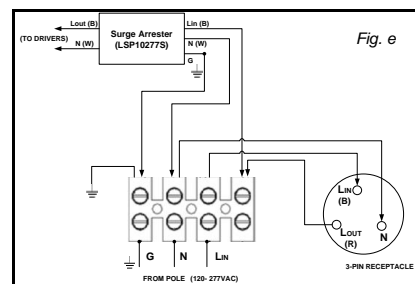
Mounting the Luminaire on the Luminaire Mounting Pole

- Insert the LED Fixture into the Luminaire Mounting Pole. Make sure disconnect Power before start of installation. (See figure c).
- Rest the pole part of the luminaire onto the pole. For 0° and +5° tilt (as required), slide the luminaire till it is stopped by the stopper provided (See figure b and figure c).
- Tighten the Pole Holding Clamp by using 2 nos. of M6X15 Socket Head Screws and make the connection to the Terminal Block as per the wiring diagram (See figure d).
- Close the cover by tightening the tool less screw by hand (See figure d)



Wiring

- **NOTE:** Make sure that all electrical connections are in accordance with the National Electrical Code (NEC), and any applicable local code requirements.
- **NOTE:** Check the rated input voltage on the luminaire product label, and verify that the supply voltage meets the product requirements.
- Connect the supply wires to terminal block according to the wiring diagram (see figure e).



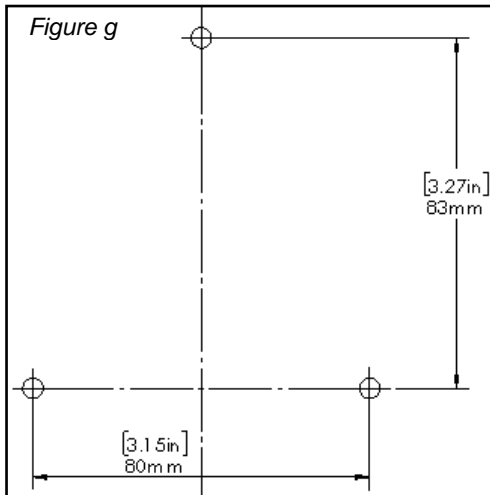
- When making electrical connections, make sure that the ground wire on the supply side is connected to the ground wire of the luminaire. Under no circumstances the ground wire should be left disconnected. This will cause the luminaire to fail and the luminaire will not be covered under warranty.

- Alternately tighten both screws with Allen key/ torque screw driver to avoid loosening due to vibrations.

Mounting the Luminaire on the Wall

- Mount the Luminaire on the wall using (3 nos.) M6X1X40 socket head bolts, as per given mounting hole dimension (see figure g and f)

Note: - All other wiring connections are same as mentioned in sheet-2 and sheet-3 (as required)



M6X1X40 Socket Head Bolt (3 nos.)

