



PS Solar Security Light

The PS solar only security light is designed as a utility grade residential and commercial security light. The PS offers an automatic start at dusk, ample light during evening hours and reduced output during the overnight hours. Ready to work out of the box, the PS includes the easy to mount Luminaire with a replaceable battery and a remote mount photovoltaic panel that allows for optimum placement for solar capture. The PS utilizes a fast opening wide beam light pattern and a manual vertical adjustment feature to allow for the optimal visual experience for each installation.

FEATURES:

Construction—The PS series is designed with rugged, corrosion-resistant, steel housing with stainless steel hardware for durability and strength. An epoxy powder-coated finish provides excellent resistance to outdoor conditions.

LED's—The PS incorporates advanced high energy efficient Osram 3030 LED emitters at 5000K (80CRI) providing optimized light delivery to uniformly illuminate target areas. 3000K or 4000K CCT is available upon request.

Battery—The PS uses a 12v12Ah lithium ion battery pack designed specifically for LED Luminaires and solar energy storage. It incorporates a PCM overcharge/discharge protection as well as an over heat protection.

Electrical—No AC power is required which makes the PS solar security light 100% energy efficient. Surge protection is also not required.

Optics—Precision-molded optics provide a NEMA 7(130° beam spread) lumen distribution pattern with IK08 rated impact resistant lenses.

LED Rated Life (L75) - High quality LED's are rated for greater than 100,000 hours @ 25°C (77°F) ambient environment per LM-80, TM21.

Protection/Ingress— LED compartment is IP66 rated. All other electrical components are IP67 rated. The enclosure utilizes an IP54 rating to ensure proper ventilation.

Photo Control—The photovoltaic panel in conjunction with onboard controls provides ambient light sensing and automatic on/off controls.

Operational Routine—Scenario 1: The Luminaire will turn on at dusk at standard power and hold for the duration of the night. Scenario 2: The Luminaire will turn on at dusk at standard power, hold for 4 hours and then turn off, turning on at triggered power during a triggering event for a duration of 3 minutes and then returning to a dark state.

Infrared Red Detection— The charge controller (MPPT) features a pyroelectric human body infrared sensor (PIR) creating a 60° cone of detection from out to a range of 6m height and 7m width. The MPPT also has a redundant over temperature control to shut off the load if the temperature is exceeded.

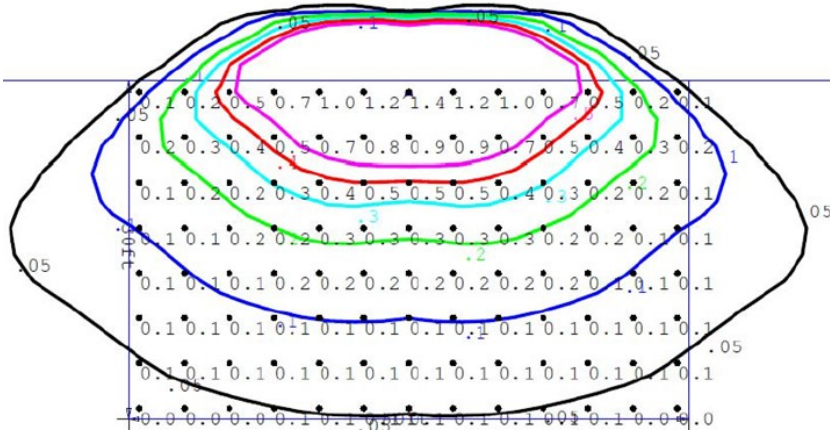
Listings—ETL, CE, LM79, LM80, NEMA, ASTM B117, Dark Sky design conformance, ARRA, and NAFTA compliant.

ORDERING TABLE:

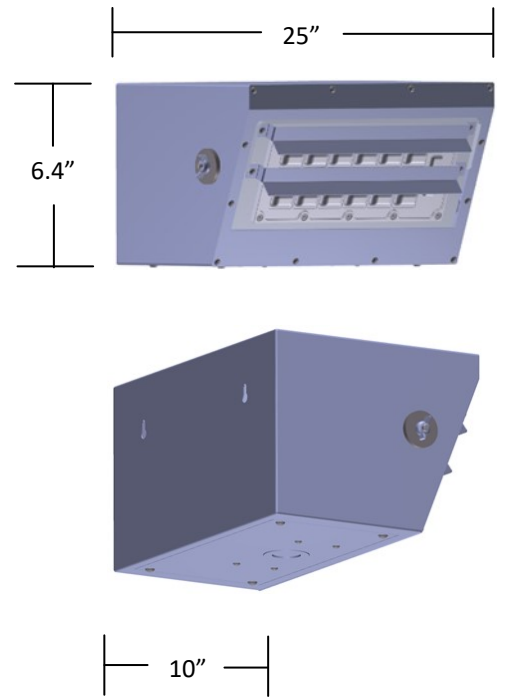
Model	LED Qty.	CCT	Distribution	Voltage	Color	Photocell	Dimming	Option 1	Option 2
PS	12	3	7	S	S	X	A	1	X
		4			R			2	
		5						C	

PHOTOMETRICS:

Area = 50' x 30' Standard Power—1,060 lumens delivered



WEIGHTS/DIMENSIONS:



*** Reference: A typical 75w Incandescent bulb produces 1,000 lumens of light. The majority of the Incandescent light is wasted (not directed toward the ground). Using optics, the GreenStar Luminaire delivers virtually 100% of the lumens produced.**

Weight: 20 lbs.

PERFORMANCE SUMMARY:

Model	Input Watts	Input Current (A)			Distribution Type	3000K		4000K		5000K	
		120V	240V	277V		Lumens	Efficacy	Lumens	Efficacy	Lumens	Efficacy
PS15	0	0	0	0	7	920	N/A	980	N/A	1060	N/A

MOUNTING:

Twin key hole mounting features allow for the luminaire to be easily installed with two screws (included). A mounting bracket is included with the solar panel for easy install up to 10' away from the Luminaire.

WARRANTY:

- LED—10 years Factory
- Charge Controller—3 years Factory
- Photovoltaic Panel—10 years Factory
- Battery—3 year Factory

ACCESSORIES:

- On/Off User Remote Control
- Replacement Battery
- Replacement Photovoltaic Panel
- PV Panel Mounting Hardware

*** All Specifications Are Subject To Change Without Notice ***

