

Document Name AVI Installation Instruction	Template Number GSPDPAD46	Document Number PDPAD1220002003
Document Owner ESS Department	Template Rev 00	Document Rev AA000

# Autonomous Voltage Interrupter (AVI) Installation Instructions



## **BEFORE YOU BEGIN**

Read these instructions completely and carefully.  
Save these instructions for future use.

### **⚠ WARNING**

**Risk of electrical shock.** Disconnect power before servicing or installing Autonomous Voltage Interrupter.

### **⚠ CAUTION**

This product should be installed only by competent personnel trained in good safety practices involving high voltage electrical equipment.

Have all required tools at hand prior to product installation

### **⚠ WARNING**

**Risk of injury.** Failure to follow these instructions could result in serious or fatal injury.

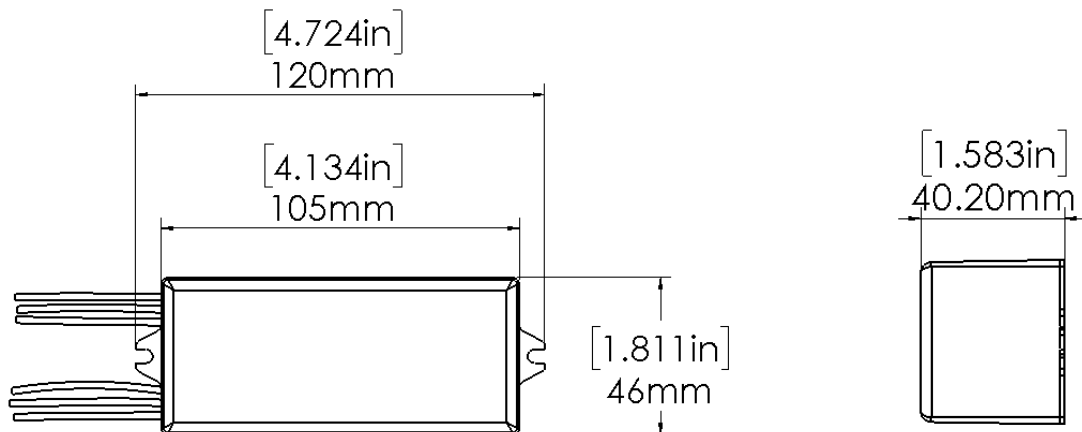
## **Important Notice**

These instructions are not intended to cover all details for every possible contingency concerning the installation, operations, or maintenance of the product. Should additional information be required, contact Green Star Products Inc.

The contents of this manual shall not become a part of or modify any prior or existing agreement, commitment, or relationship. The sales contract contains the entire obligation of GreenStar Products Inc. GreenStar Products Inc. standard limited warranty is the sole warranty obligation of the company and any statements contained herein do not create new warranties or modify the existing warranty.

Any electrical or mechanical modifications to the product without the prior written consent of GreenStar Products Inc. may void all warranties. Unauthorized modifications may also result in safety hazards or damage to the product. In no event will GreenStar Products Inc. be responsible or liable for direct, indirect, special, or consequential damage or injury that may result from the misuse of the product.

## Product



Document Name AVI Installation Instruction	Template Number GSPDPAD46	Document Number PDPAD1220002003
Document Owner ESS Department	Template Rev 00	Document Rev AA000

## Product Information

This product is designed to specifically address the phenomenon known as “dirty power” which is typically characterized by voltage swells above the rated luminaire voltage or voltage sags below the rated luminaire voltage.

This product is a serial device, meaning that it must be installed before the luminaire.

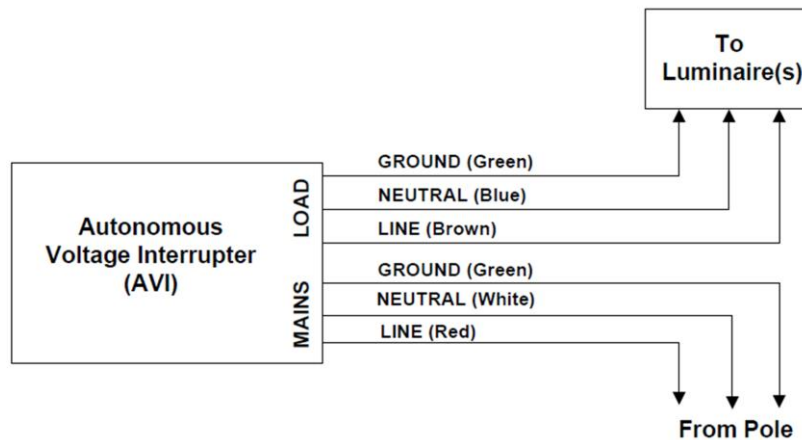
## Inspection

The packing has been designed to protect the Autonomous Voltage Interrupter (AVI) from damage during transit. Inspect AVI for damage before installation.

## Wiring

**NOTE:** Make sure that all electrical connections are in accordance with the National Electrical Code (NEC), and any applicable local code requirements.

Connect the Supply wires as shown in below diagram:



### **Important:**

- When making electrical connections, make sure that the Pole has a good ground connection.
- Under no circumstances should the ground wire be left disconnected. This will cause the product to fail and will not be covered under warranty.
- Make sure that the insulated wires of the product are not crossed/overlapped by the un-insulated wires.
- Ensure that wires are not folding or getting pinched at sharp edges.
- Ensure that all the electrical connections made are correct and properly protected from moisture accumulation before energizing the circuit.

**Note:** Use connector(s) as per the size of the supply wires for proper supply connections.